



CB 416

LIST OF THE EXPLODED VIEWS



SHELL ASSY CB 416A / CB 416W

SHELL ASSY CB 416A DP

COOLING SYSTEM

HYDRAULIC CIRCUIT CB 416A / CB 416W

HYDRAULIC CIRCUIT CB 416A DP

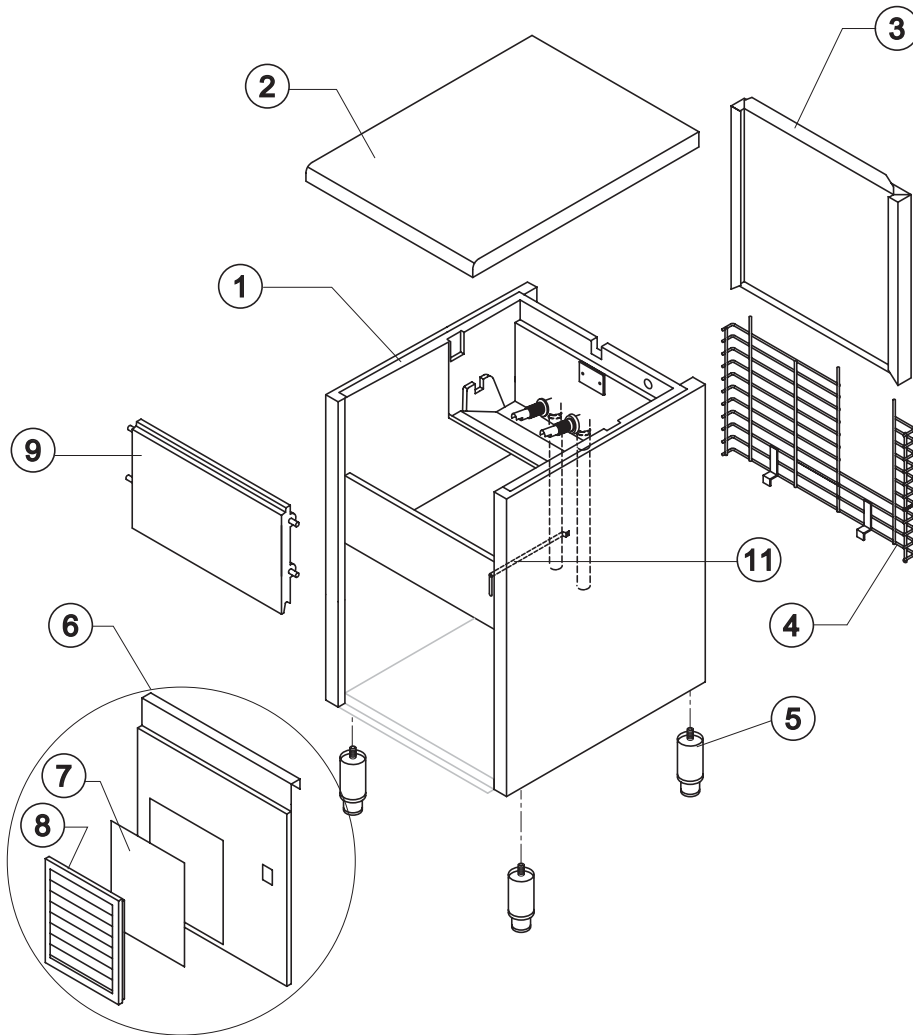
ELECTRIC PARTS

Rev. 14 - 12/03/2019



CB 416

SHELL ASSY CB 416A/ CB 416W



Ref.	Spare Description	Code
1	Foamed Cabinet Assy	See Table
2	Top Assembly	C22692
3	Rear Panel Assembly	C21182
4	Rear Grid	D12006
5	Foot	20613
6	Front Grid Panel	C22507
7*	Filtering Panel	18106
8	Frame + Grid & Filter	C10205
9	Door Assembly	C10297
11	Bulb-holder Pipe	20522

Ref. 1 - Foamed Cabinet Assy

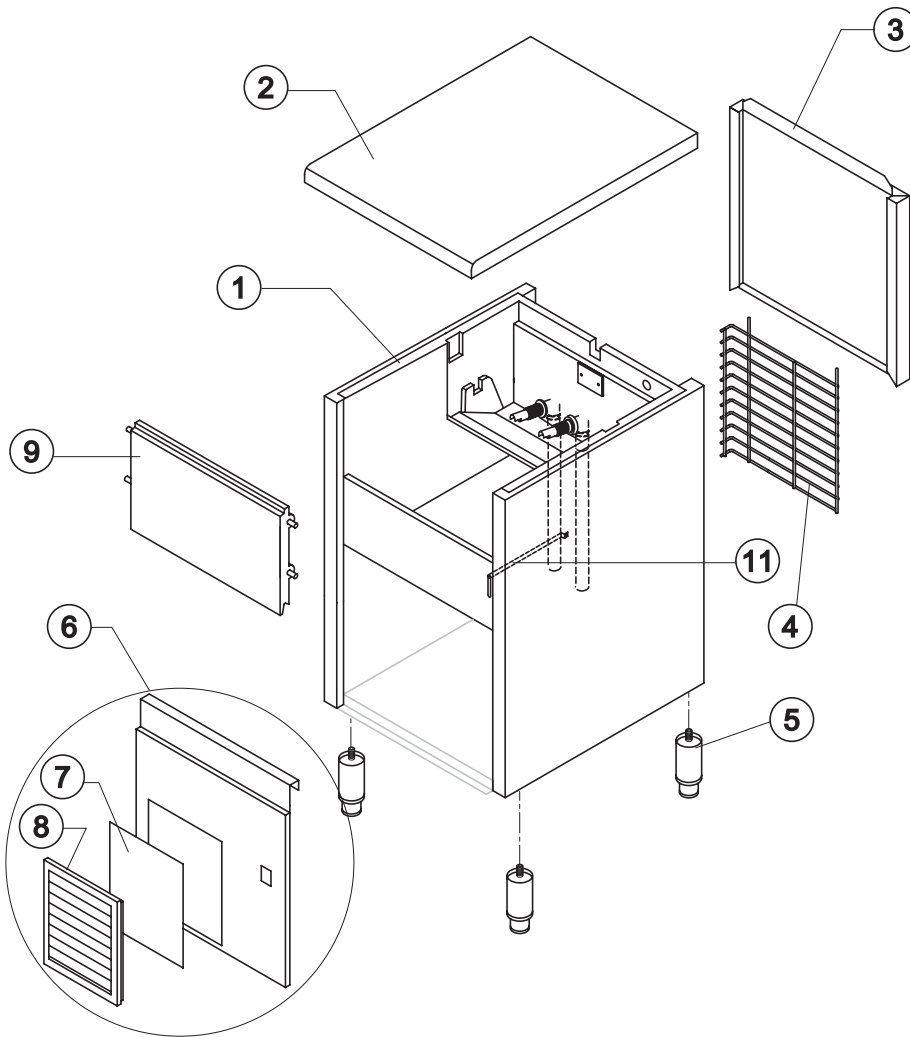
Condensation	Code
Air	C11004A
Water	C11004W

Rev. 14 - 12/03/2019



CB 416

SHELL ASSY CB 416A DP



Ref.	Spare Description	Code
1	Foamed Cabinet Assy	C11004DP
2	Top Assembly	C22692
3	Rear Panel Assembly	C21182
4	Rear Grid	D12101
5	Foot	20613
6	Front Grid Panel	C22507
7*	Filtering Panel	18106
8	Frame + Grid & Filter	C10205
9	Door Assembly	C10297
11	Bulb-holder Pipe	20522



Common Parts

Ref.	Spare Description	Code
3	Sucking Fan	10213
4	Fan Fixing Hub	10014
5	Evaporator	See Table
6	Evaporator Cover Panel	from s/n. 224520 10449
7*	Molecular Drier	14009
8	Compressor	See Table
12*	Hot Gas Valve Coil	See Table
13*	Hot Gas Valve Body	20410
14	Suctin Line	for the spare parts code give us the s/n.

Parts for Air-Cooled Version Only

Rif.	Spare Description	Code
1	Air Condenser	20019

Parts for Water-Cooled Version Only

Rif.	Spare Description	Code
2	Water Condenser	14014

Ref. 5 - Evaporator

Kind of Cube	Code
18 g. (Standard)	D10046
33 g.	D10089
13 g.	D10417
42 g.	D10465

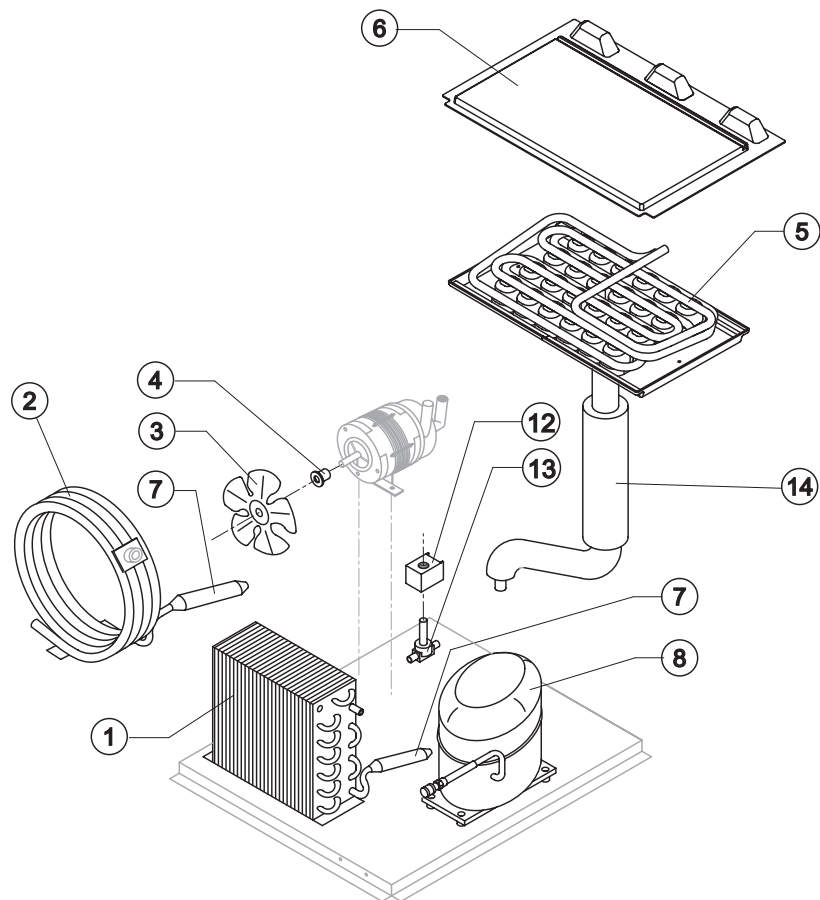
Ref. 8 - Compressor

Voltage	Code
220-240V ~ 50Hz	231202
220-230V ~ 60Hz	23495A
110-115V ~ 60Hz	23678

Ref. 12* - Hot Gas Valve

Voltage	Code
220-240V ~ 50Hz	231294
220-230V ~ 60Hz	231294
110-115V ~ 60Hz	23256

Rev. 14 - 12/03/2019

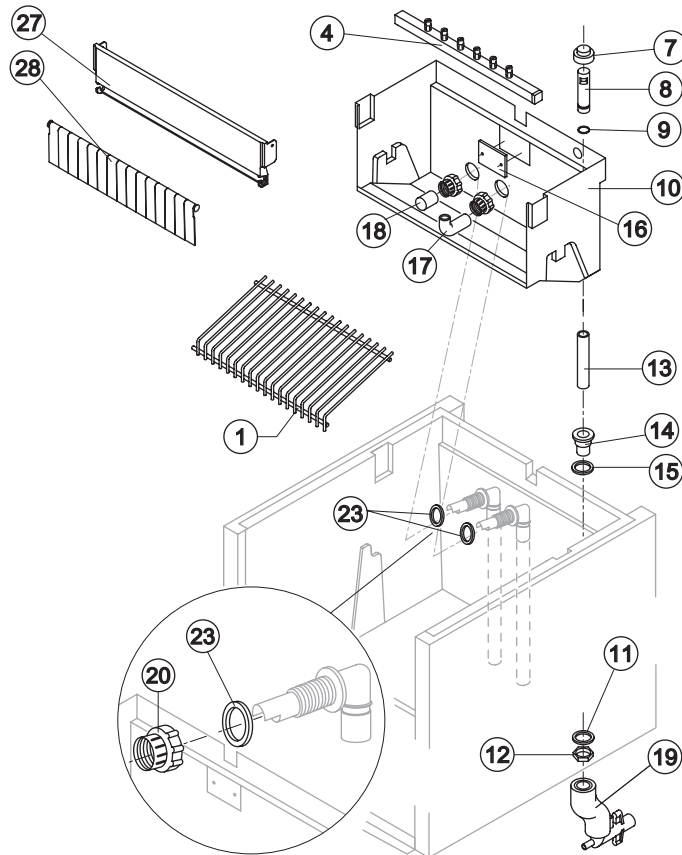




CB 416

HYDRAULIC CIRCUIT

CB 416A / CB 416W



Common Parts

Ref.	Spare Description	Code	
1	Ice Cubes Slide	See Table	
4*	Sprayers Bar Assy	See Table	
7*	Overflow Cap	10305	
8*	Overflow Pipe	10133	
9*	OR Gasket for Overflow Pipe	20233	
10	Inner Basin	10253	
11	Semirigid Polyethylene Gasket	13007	
12	Bin Discharge Nut	10096	
13*	Overflow Pipe	13107	
14	Water Outlet Nipple	10472	
15	Gasket	13219	
16	Slide Keep Plate	10009	
17	Sprayers Feeding Pipe	13005	
18*	Pump Suction Filter	20005	
20	Fittings Locking Ring	10405	
23	Gasket of the Pump Suction/Delivery Pipes	13220	
27	Flags ABS Support	from s/n. 380158	10526
28	Rod with Flags	from s/n. 380158	10534

Ref. 1 - Ices Cube Slide

Kind of Cube	Code
18 g. (Standard)	D12008
33 g.	D12030
13 g.	D12038
42 g.	D12030

Ref. 4* - Sprayers Bar Ass.

Kind of Cube	Code
18 g. (Standard)	C20029
33 g.	C20155
13 g.	C20189
42 g.	C20155

Parts for Air Cooled Version Only

Ref.	Spare Description	Code
19	Discharges Manifold	C10006

Parts for Water Cooled Version Only

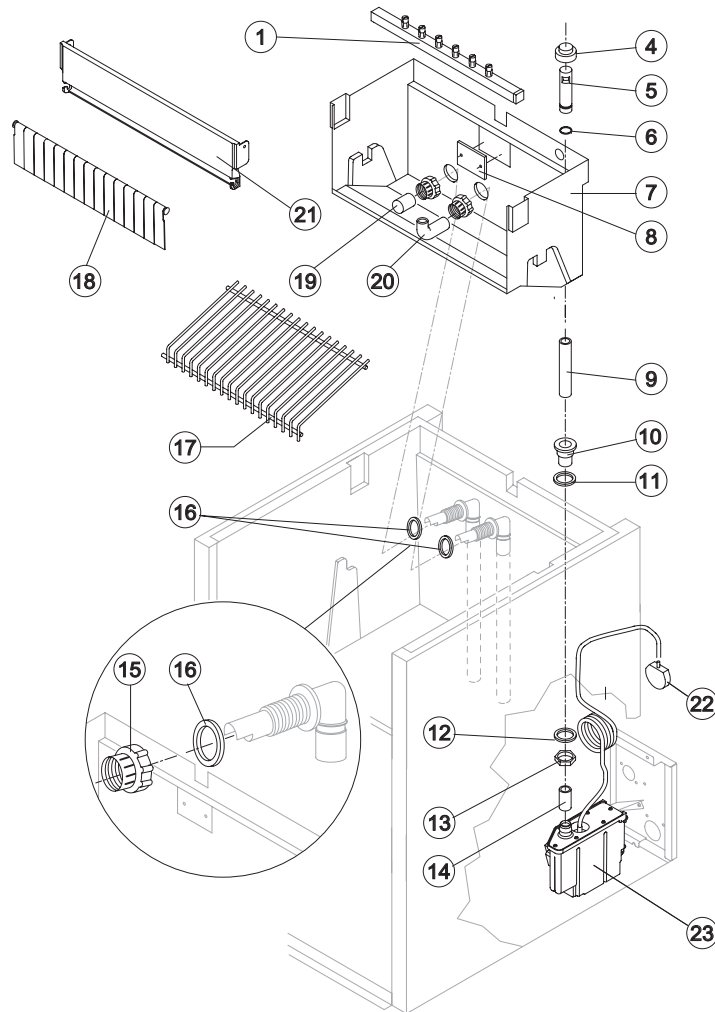
Ref.	Spare Description	Code
19	Discharges Manifold	C26452

Rev. 14 - 12/03/2019



CB 416

HYDRAULIC CIRCUIT CB 416A DP



Ref.	Spare Description	Code
1*	Sprayers Bar Assembly	See Table
4*	Overflow Cap	10305
5*	Overflow Pipe	10133
6*	OR Gasket for Overflow Pipe	20233
7	Inner Basin	10253
8	Slide Keep Plate	10009
9*	Overflow Pipe	13107
10	Water Outlet Nipple	10472
11	Gasket	13219
12	Semirigid Polyethylene Gasket	13007
13	Bin Discharge Nut	10096
14	Bin Discharge-Drain Pump Connection	C13175100
15	Fittings Locking Ring	10405
16	Gasket of the Pump Suction/Delivery Pipes	13220
17	Ice Cubes Slide	See Table
18	Rod with Flags	10534
19*	Pump Suction Filter	20005
20	Sprayers Feeding Pipe	13005
21	Flags ABS Support	10526
22	Drain Pump Pressure Switch	C231230
23	Drain Pump	RC231225

Ref. 1 - Ice Cube Slide

Kind of Cube	Code
18 g. (Standard)	D12008
13 g.	D12038

Ref. 4* - Sprayer Bar Assy

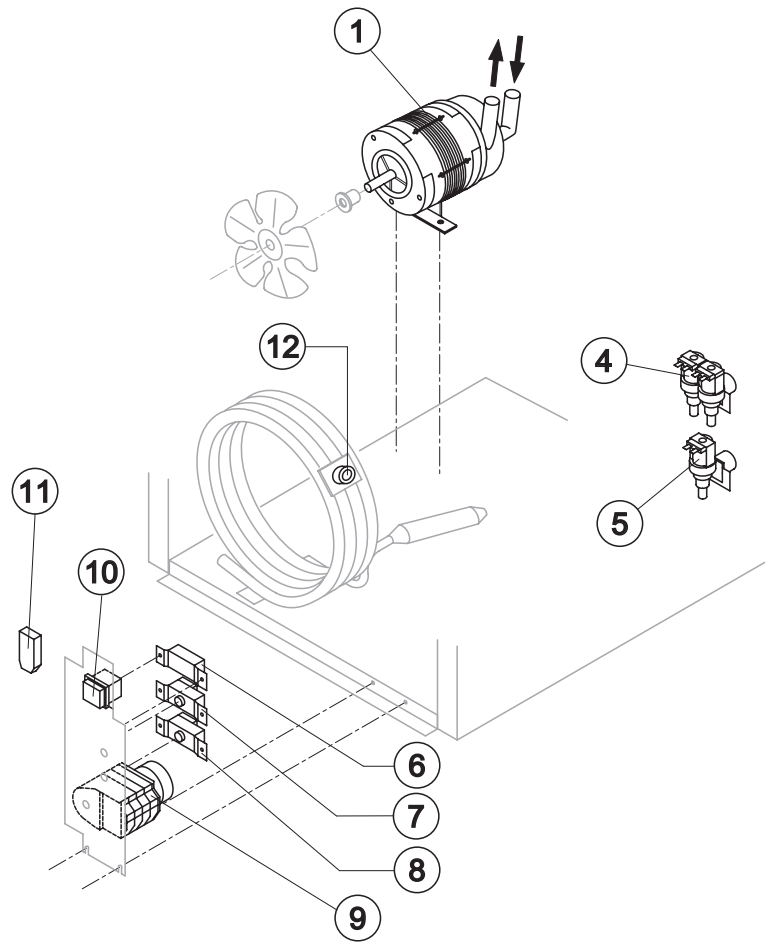
Kind of Cube	Code
18 g. (Standard)	C20029
13 g.	C20189



CB 416

ELECTRIC PARTS

CB 416A / CB 416W / CB 416A DP



Common Parts

Ref.	Spare Description	Code
1*	Pump Assy	See Table
7*	Bin Thermostat	R23005
8*	Evaporator Thermostat	R23591
9*	Timer	See Table
10*	Green Light Switch (On-Off)	23327

Parts for Air-Cooled Version Only

Ref.	Spare Description	Code
5*	1 Way- Water Inlet Valve	See Table

Parts for Water-Cooled Version Only

Ref.	Spare Description	Code
4*	2 Ways Water Inlet Valve	See Table
6*	Condenser Pressure Switch	23175
11	Anti Radio Interference Filter	Only 220V/50-60Hz C23457
12*	Safety Thermostat	C23114

Ref. 1* - Pump Assy

Voltage	Code
220-240V ~ 50Hz	RC23377
220-230V ~ 60Hz	RC23377
110-115V ~ 60Hz	RC23663

Ref. 4* - 2 Way- Water Inlet

Voltage	Code
220-240V ~ 50Hz	23010
220-230V ~ 60Hz	23010
110-115V ~ 60Hz	23261

Ref. 5* - 1 Way- Water Inlet

Voltage	Code
220-240V ~ 50Hz	23001
220-230V ~ 60Hz	23001
110-115V ~ 60Hz	23410

Ref. 9* - Timer

Voltage	18g Cube	33g Cube	13g Cube	42g Cube
220-240V ~ 50Hz	23222	23248	23247	23780
220-230V ~ 60Hz	231078	231080	231077	231080
110-115V ~ 60Hz	23833	23786	23258	23786